

NEW: Eye Bolt TITAN

Safely transfer tension
loads up to 1390 kN

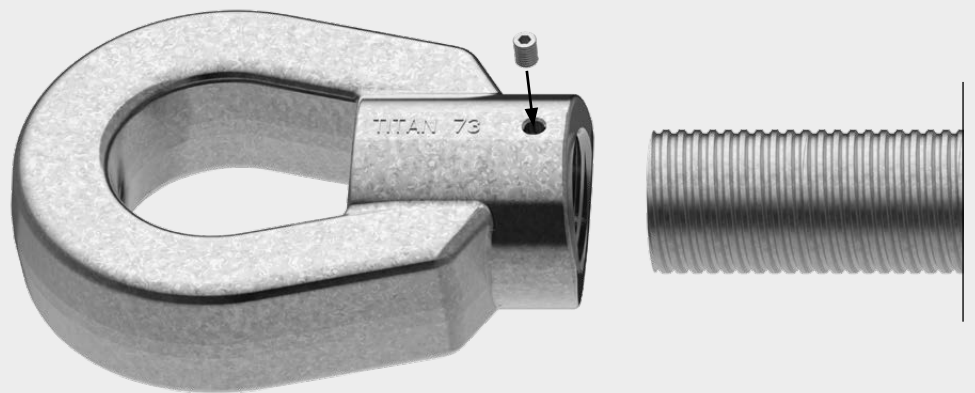


Eye Bolts for TITAN micropiles

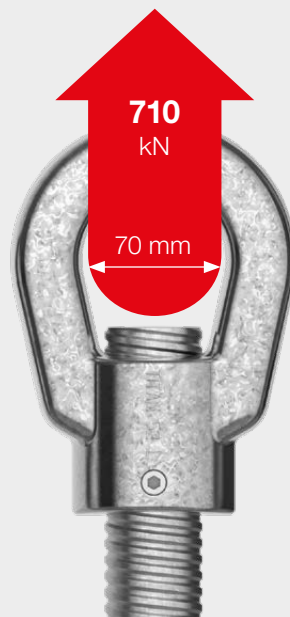
- For every type of tie or guy
- Permanent and temporary
- Designed for the maximum tension loads of the micropiles
- Easily aligned for optimum transfer of the tension forces
- Grub screw prevents turning

Screw on Eye Bolt, tighten threaded pin, finished.

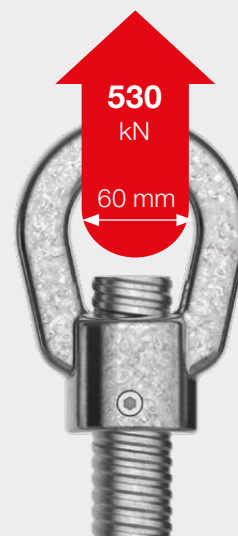
Threaded pin holds the Eye Bolt
securely in place.



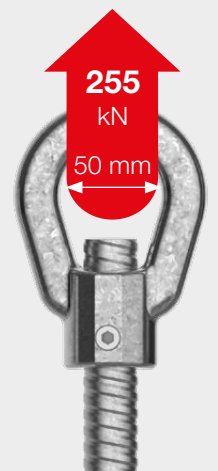
TITAN 73



TITAN 52



TITAN 40



TITAN 30